



Anleitung-LED-Anzeige uP, EDIZIOdue, 10-27VDC (105xx-UP)

- 1050.1G-UP LED-Anzeige uP, EDIZIOdue ws, grün, 10-27VDC, 8mA
- 1050.1R-UP LED-Anzeige uP, EDIZIOdue ws, rot, 10-27VDC, 10mA
- 1050.1R/G-UP LED-Anzeige uP, EDIZIOdue ws, rot/grün, 10-27VDC, 10/8mA
- 1051G-UP LED-Anzeige uP, EDIZIOdue sw, grün, 10-27VDC, 8mA
- 1051R-UP LED-Anzeige uP, EDIZIOdue sw, rot, 10-27VDC, 10mA
- 1051R/G-UP LED-Anzeige uP, EDIZIOdue sw, rot/grün, 10-27VDC, 10/8mA

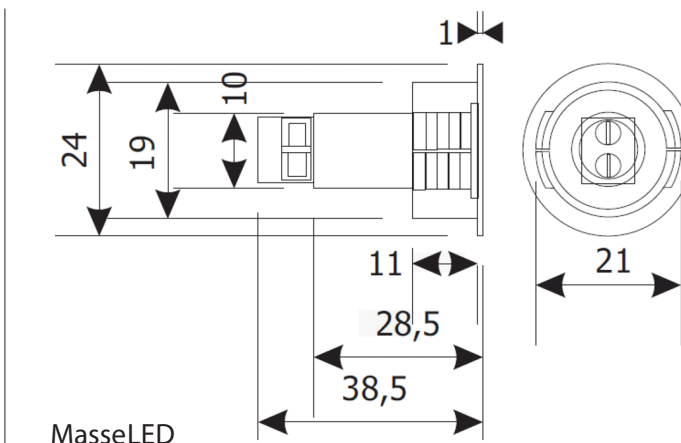
Anschlüsse

1 LED

- + : +10-28VDC
- : 0VDC

2 LED

- R : 0VDC rote LED
- + : +10-28VDC
- V : 0VDC grüne LED



AA0IA1 - Änderungen vorbehalten

BSW SECURITY AG
info@bsw.swiss
bsw.swiss

T 0840 279 279
Förlibuckstrasse 66
8005 Zürich

T 071 314 10 00
Untere Kräzern 8
9015 St. Gallen

T 061 312 39 62
Hauptstrasse 30
4127 Birsfelden

T 0043 4282 20280
Obervellach 91
A-9620 Hermagor



Anleitung-LED-Anzeige uP, EDIZIOdue, 10-27VDC (105xx-UP)

- 1050.1G-UP LED-Anzeige uP, EDIZIOdue ws, grün, 10-27VDC, 8mA
- 1050.1R-UP LED-Anzeige uP, EDIZIOdue ws, rot, 10-27VDC, 10mA
- 1050.1R/G-UP LED-Anzeige uP, EDIZIOdue ws, rot/grün, 10-27VDC, 10/8mA
- 1051G-UP LED-Anzeige uP, EDIZIOdue sw, grün, 10-27VDC, 8mA
- 1051R-UP LED-Anzeige uP, EDIZIOdue sw, rot, 10-27VDC, 10mA
- 1051R/G-UP LED-Anzeige uP, EDIZIOdue sw, rot/grün, 10-27VDC, 10/8mA

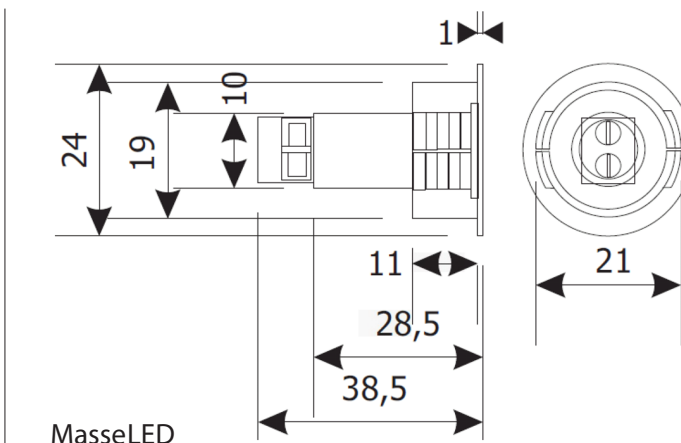
Anschlüsse

1 LED

- + : +10-28VDC
- : 0VDC

2 LED

- R : 0VDC rote LED
- + : +10-28VDC
- V : 0VDC grüne LED



AA0IA1 - Änderungen vorbehalten

BSW SECURITY AG
info@bsw.swiss
bsw.swiss

T 0840 279 279
Förlibuckstrasse 66
8005 Zürich

T 071 314 10 00
Untere Kräzern 8
9015 St. Gallen

T 061 312 39 62
Hauptstrasse 30
4127 Birsfelden

T 0043 4282 20280
Obervellach 91
A-9620 Hermagor



Manuel-Affichage à LED uP, EDIZIOdue, 10-27VDC (105xx-UP)

- 1050.1G-UP Affichage à LED uP, EDIZIOdue bc, vert, 10-27VDC, 8mA
- 1050.1R-UP Affichage à LED uP, EDIZIOdue bc, rouge, 10-27VDC, 10mA
- 1050.1R/G-UP Affichage à LED uP, EDIZIOdue bc, rouge/vert, 10-27VDC, 10/8mA
- 1051G-UP Affichage à LED uP, EDIZIOdue nr, vert, 10-27VDC, 8mA
- 1051R-UP Affichage à LED uP, EDIZIOdue nr, rouge, 10-27VDC, 10mA
- 1051R/G-UP Affichage à LED uP, EDIZIOdue nr, rouge/vert, 10-27VDC, 10/8mA

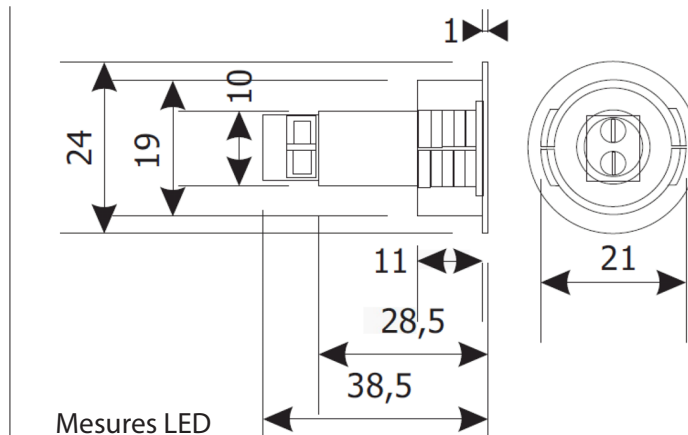
Connexions

1 LED

- + : +10-28VDC
- : 0VDC

2 LED

- R : 0VDC LED rouge
- + : +10-28VDC
- V : 0VDC LED vert



AA01A1 - Änderungen vorbehalten

BSW SECURITY AG
info@bsw.swiss
bsw.swiss

T 0840 279 279
Förrlibuckstrasse 66
8005 Zürich

T 071 314 10 00
Untere Kräzern 8
9015 St. Gallen

T 061 312 39 62
Hauptstrasse 30
4127 Birsfelden

T 0043 4282 20280
Obervellach 91
A-9620 Hermagor



Manuel - Affichage à LED uP, EDIZIOdue, 10-27VDC (105xx-UP)

- 1050.1G-UP Affichage à LED uP, EDIZIOdue bc, vert, 10-27VDC, 8mA
- 1050.1R-UP Affichage à LED uP, EDIZIOdue bc, rouge, 10-27VDC, 10mA
- 1050.1R/G-UP Affichage à LED uP, EDIZIOdue bc, rouge/vert, 10-27VDC, 10/8mA
- 1051G-UP Affichage à LED uP, EDIZIOdue nr, vert, 10-27VDC, 8mA
- 1051R-UP Affichage à LED uP, EDIZIOdue nr, rouge, 10-27VDC, 10mA
- 1051R/G-UP Affichage à LED uP, EDIZIOdue nr, rouge/vert, 10-27VDC, 10/8mA

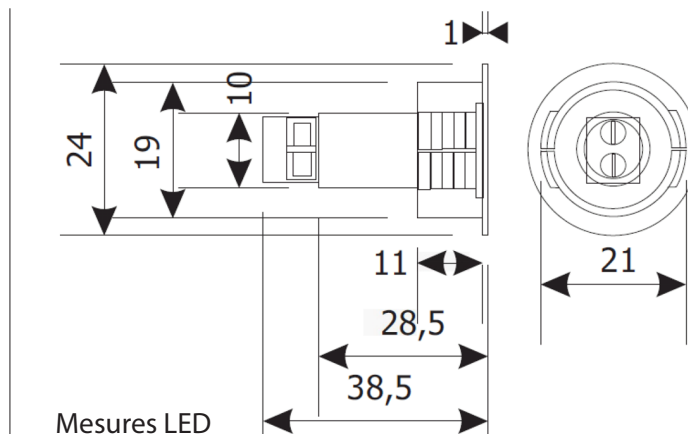
Connexions

1 LED

- + : +10-28VDC
- : 0VDC

2 LED

- R : 0VDC LED rouge
- + : +10-28VDC
- V : 0VDC LED vert



AA01A1 - Änderungen vorbehalten

BSW SECURITY AG
info@bsw.swiss
bsw.swiss

T 0840 279 279
Förrlibuckstrasse 66
8005 Zürich

T 071 314 10 00
Untere Kräzern 8
9015 St. Gallen

T 061 312 39 62
Hauptstrasse 30
4127 Birsfelden

T 0043 4282 20280
Obervellach 91
A-9620 Hermagor